



Yes, you can.[®]

Invacare[®] SB 755

Comfort and Safety Combined

The *Invacare[®] SB 755* offers a high specification four section profiling mattress platform, which has been designed in consultation with Biometric Engineers, to provide enhanced body compatibility and superior positioning.

Particularly suitable for long term care or for those who spend long periods in bed, the **SB 755** offers a range of benefits that improve daily activities for both client and carer.

NEW



3 year warranty





➤ Your comfort is our priority

The **SB 755** comes with several features to ensure an excellent seating position and to reduce shear and friction during movement. These include an enhanced auto-regression system, optimised length of mattress platform sections and a leg section that can be lowered below horizontal.

An integrated length extension of 10 cm at both the head and foot end allows this model to meet the needs of over 95% of body sizes.

➤ Ease of handling

No part of the **SB 755** weighs more than 25 kg and dismantlable scissors are available as an option.

Assembling and dismantling the bed has been made particularly easy, to allow for a greater ease of transport and storage. The bed can be stored on its base and rolled directly from van to bedroom. Assembly and transportation can be carried out by one person quickly and with minimum effort.

➤ Safety is key

As always at Invacare®, safety is our key concern. Side rails in both the standard bed length and the extendable version meet the increased strength demands of the forthcoming IEC standard* for beds, without compromising the ergonomics or working conditions of the caregiver.

➤ Quality and Reliability

The **SB 755** offers excellent stability and resistance against wear and tear, providing years of use.



Features and options



Auto regression – improved functionality.
Increased comfort when activating backrest, minimizing shear/friction forces.



Optimized dimensions of mattress platform according to anthropometrical measurement, for increased comfort.



Extendable mattress platform.
Additional 10 cm at head and foot.
Bed easily extends 5, 10, 15 or 20 cm increments to suit user needs.



Line Side rail

Full-length side rail meets the tough demands of strength and safety in the forthcoming standard for beds (IEC 60601-2-52_FDIS). The Line side rail is lightweight and easy to use.



Line Extendable side rail

Full-length side rail, which can be adjusted continuously from 200 – 220 cm and still meet the increased requirements in forthcoming standard for beds (IEC 60601-2-52_FDIS).



Removable panel

On the Victoria bed end, a removable panel allows easy access from the head and foot of the bed even with the full-length side rails mounted.

➤ **SB 755 Detachable**



Bed ends can be dismantled without tools.



The seat section opens and the two mattress support parts are divided. The mattress platform is detached from the base with a quick release mechanism.



Activate the quick release and the scissor is detached. The handle makes it very easy to dismount.



Need to move the bed from one place to another?

No lift?

Narrow staircase?

...No problem!

The **SB 755 Detachable** is designed to overcome all these challenges.

This bed is so easy to assemble and dismount that it can be carried out by one person; our unique dismantlable system is designed for minimum effort - no need to worry about losing screws or parts!

Designed with parts that weigh no more than 25kg each, the **SB 755 Detachable** is a novel design that is unique in the market. Such easy handling ensures that the bed is easy to transport.



Mattress platform can be effectively released and unlocked in the seat section.



The scissor is easily released from the base with the quick release handle.



➤ Bed parts, mattress and accessories are stored directly on the base with special hooks; storage and transport are facilitated and the bed takes up less space.

Options



Victoria bed end

Detachable panel - Available in beech, cherry and white beech for 90 cm wide beds. Compatible with the Line side rail range.



Sophie bed end

Available in beech, cherry and white beech for 90 cm wide beds. Compatible with the Line side rail range.



Emma bed end

Detachable - Available in beech, cherry and white beech for 90 cm wide beds. Compatible with the scala steel side rail range only.



Susanne bed end

Available in beech, cherry and white beech for 90 cm wide beds. Compatible with the Line side rail range.



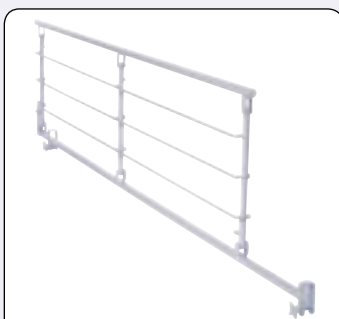
Anita bed end

Available in beech, cherry and white beech for 90 cm wide beds. Compatible with the Line side rail range.



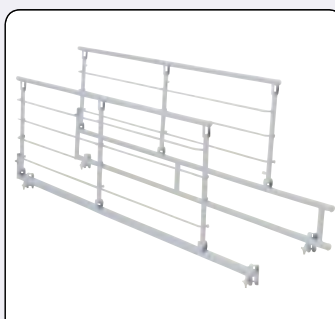
Mattress support

Mattress support with individually replaceable slats. (Wood not available in the UK)



Scala Basic or Scala Basic Plus

Foldable metal siderail. Available with or without plastic lining to brackets.
Height: 42.7 cm



Scala Medium or Scala Decubi

Foldable metal siderail in different heights. Offers additional safety when used with very deep mattresses.
Height of Medium: 48.3 cm,
Height of Decubi: 56.2 cm



Central brake

With a wheel diameter of 100 mm supplied as standard.

Accessories



Handcontrols

Invacare® **Soft Control** with "green" button autoprofile function supplied as standard. HB70 available as an option.



Lifting pole

The handle can be adjusted both in height and depth. (Optional)



Lowering kit

Using castors Ø 75 mm creates a lowest height of 25 cm. (Optional)

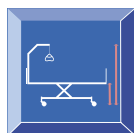
Technical data



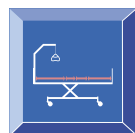
Width inside:
85 / 90 cm
Width outside:
95 / 101 cm



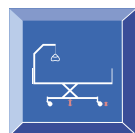
Length outside: 213 cm
Length inside: 208 cm
Mattress: 200 cm



Height adjustable:
35-82 cm
Total height:
160-207 cm



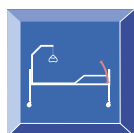
Mattress support
dimensions:
80 - 26 - 26 - 68 cm



Under bed
clearance: 17 cm



0° - 73°
Backrest Angle



0° - 28°
Thigh Angle



0° - 16°
Minimum angle
below horizontal



0° - 18°
Full legrest lift



25°
(Angle below frame)
14°
(Angle above frame)



SWL 235 kg
Max. user weight
200 kg



Heaviest part of
the product: 25kg

NB:

The bed must not be used by patients under 12 years of age, or by patients with body size equivalent to an average 12 year old or smaller.

Frame colour and wood work



Aluminium grey



Beech



Beech



Cherry (Optional)

All information quoted is believed to be correct at time of print.
Invacare® reserves the right to alter product specifications without prior consultation.



INVACARE® Limited
Pencoed Technology Park · Pencoed · Bridgend CF35 5HZ
Tel: +44 1 656 776 222 · Fax: +44 1656 776 220
E-mail: uk@invacare.com · www.invacare.co.uk
Sales Order E-mail: ordersuk@invacare.com

INVACARE® Ireland Ltd
Unit 5 · Seatown Business Campus
Seatown Road · SWORDS · County Dublin
Tel. +353 1 8107084 · Fax +353 1 8107085
Email: Ireland@invacare.com · www.invacare.ie